

INSULATED CONTAINERS AND PLASTIC PALLETS



ROTO MOULDED INSULATED FISH TUBS

Nilkamal, the largest manufacturer of material handling plastic products brings innovatively designed , latest technology “ **ROTO MOULDED INSULATED FISH TUBS** ” made from **food grade virgin USDA / FDA / EU approved polyethylene**, **PU filled & UV stabilized**.



MODEL NO.	OUTSIDE DIMENSIONS	INSIDE DIMENSIONS	CAPACITY
RIFT310	915 (L) X 715 (B) X 710 (H) MM. approx. 36 (L) X 28 (B) X 28 (H) INCH. approx. (Height of Tub with Lid : 765 MM. approx.)	865 (L) X 665 (B) X 575 (H) MM. approx. 34 (L) X 26 (B) X 23 (H) INCH. approx.	310 LITRES
RIFT460	1230 (L) X 1030 (B) X 580 (H) MM. approx. 48 (L) X 41 (B) X 23 (H) INCH. approx. (Height of Tub with Lid : 650 MM. approx.)	1165 (L) X 965 (B) X 430 (H) MM. approx. 46 (L) X 38 (B) X 17 (H) INCH. approx.	460 LITRES
RIFT660	1230 (L) X 1030 (B) X 750 (H) MM. approx. 48 (L) X 41 (B) X 30 (H) INCH. approx. (Height of Tub with Lid : 820 MM. approx.)	1165 (L) X 965 (B) X 600 (H) MM. approx. 46 (L) X 38 (B) X 24 (H) INCH. approx.	660 LITRES
RIFT1000	1470 (L) X 1180 (B) X 890 (H) MM. approx. 58 (L) X 46 (B) X 35 (H) INCH. approx. (Height of Tub with Lid : 965 MM. approx.)	1390 (L) X 1100 (B) X 725 (H) MM. approx. 55 (L) X 43 (B) X 29 (H) INCH. approx.	1000 LITRES

ROTO MOULDED INSULATED FISH TUBS

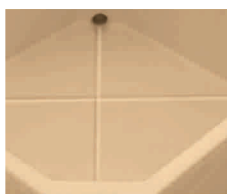
- Made from food grade virgin USDA / FDA / EU approved polyethylene.
- PU filled & UV stabilized.
- Excellent insulation hence maintains uniform temperature.
- Easy to clean & wash, thus hygienic.
- Strong and durable.
- Stackable for space saving.
- All the fish tubs are available with & without lid.
- Specially designed for storing and transporting sea food, meat , dairy products , pharmaceutical products & perishable items at every stage.
- Maintains freshness of contents for a longer duration.



Salient Features of Roto Moulded Fish Tub



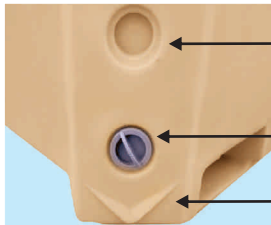
Calibration markings on the inside wall



Inclined inner bottom for quick drainage



Provision for embossing customer logo



Parking slot for safe keeping of drain caps

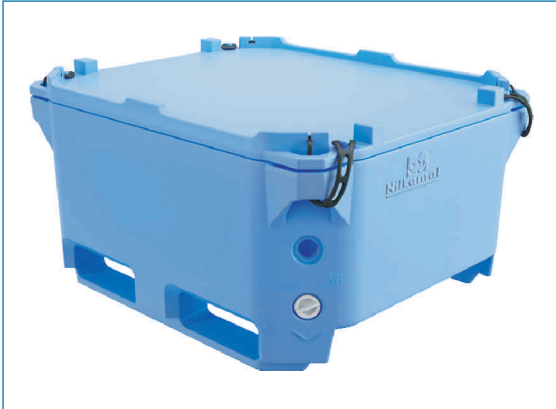
Drain Cap design eliminates separate key

Prominent V-Lip prevents spillage of drain water on tub/s stacked below



ROTO MOULDED NEW GENERATION INSULATED FISH TUBS

NILKAMAL introduces **New Generation Roto Insulated Fish Tubs Euro** specially designed for storing and transporting sea food, meat & perishable items at every stage for maintaining freshness of contents for a longer duration. **Made from food grade virgin USDA / FDA / EU approved polyethylene, PU filled & UV stabilized.**



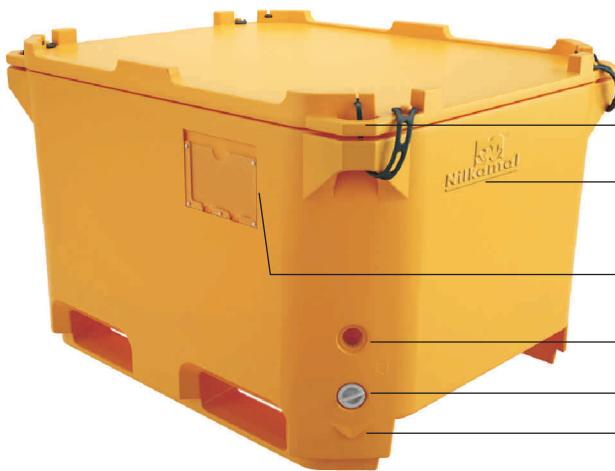
Model : RIFTE400
CAPACITY : 400 LITRES

O.D. : 1200 (L) X 1000 (B) X 570 (H) MM. approx.
47 (L) X 39 (B) X 22 (H) INCH. approx.
I. D. : 1135 (L) X 935 (B) X 380 (H) MM. approx.
45 (L) X 37 (B) X 15 (H) INCH. approx.
(Height of Tub with Lid : 640 MM. / 25 INCH approx.)



Model : RIFTE600
CAPACITY : 600 LITRES

O.D. : 1200 (L) X 1000 (B) X 750 (H) MM. approx.
47 (L) X 39 (B) X 30 (H) INCH. approx.
I. D. : 1135 (L) X 935 (B) X 560 (H) MM. approx.
45 (L) X 37 (B) X 22 (H) INCH. approx.
(Height of Tub with Lid : 820 MM. / 32 INCH approx.)



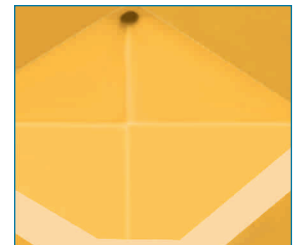
- Strong handle area section
- Provision for embossing customer logo
- Label holder facility
- Parking Slot for safe keeping of drain cap
- Drain Cap design eliminates separate key
- Prominent V-lip prevents spillage of drain water on tub/s stacked below

Model : RIFTE1000
CAPACITY : 1000 LITRES

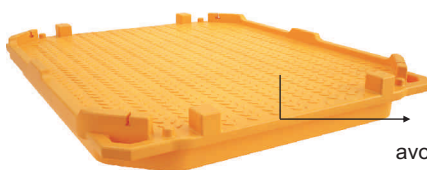
O.D. : 1470 (L) X 1170 (B) X 880 (H) MM. approx.
58 (L) X 46 (B) X 35 (H) INCH. approx.
I. D. : 1385 (L) X 1085 (B) X 665 (H) MM. approx.
55 (L) X 43 (B) X 26 (H) INCH. approx.
(Height of Tub with Lid : 960 MM. / 38 INCH approx.)



Calibration markings on the inside wall

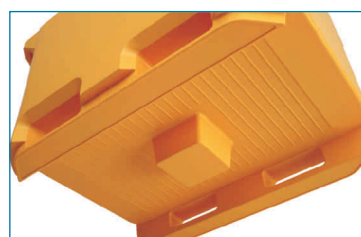


Inclined Bottom for quick drainage



Model : RIFLE400600H
HEAVY DUTY ANTI-SKID LID
FOR 400 / 600 LTRS. FISH TUBS

Top Surface made of chekered design avoiding slippage problem



Central Leg Facility to avoid sagging at centre of the tub For 1000 Ltrs. Fish Tubs

ROTO MOULDED 25 / 35 CUBE INSULATED FISH TUBS

Nilkamal brings its internationally proven technological expertise to the American markets. We are proud to introduce our **25 and 35 Cube Fish Tubs** with several unique advantages not found elsewhere in the US / Canada and South American Markets. **All our fish tubs are made from virgin food grade USDA / FDA / EU approved polyethylene, PU filled & UV stabilized.**



Nilkamal RIFT25 & RIFT35 models are inter-stackable with each other and also with leading brands available in the US / Canada / South American Markets.

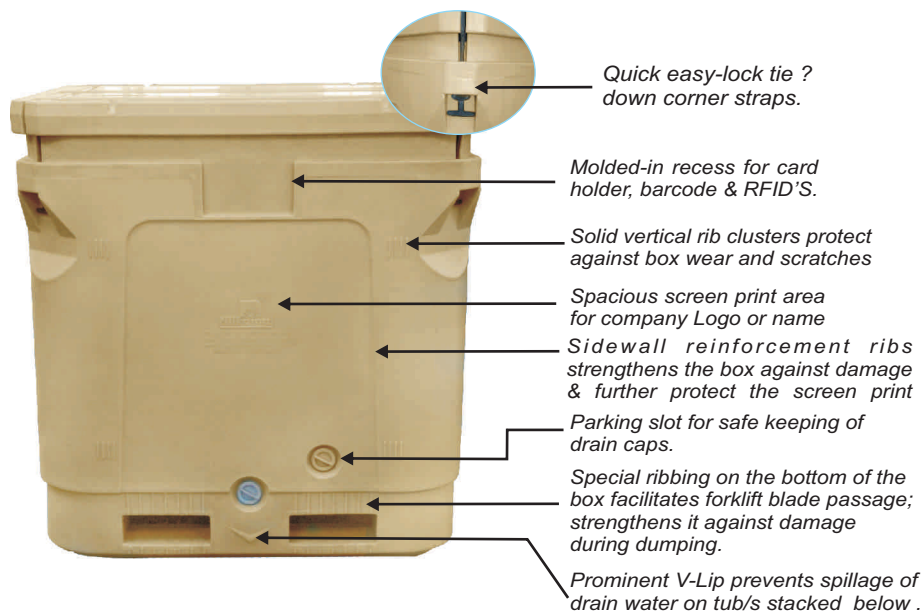


RIFT25 WITH LID CAPACITY : 700 LITRES

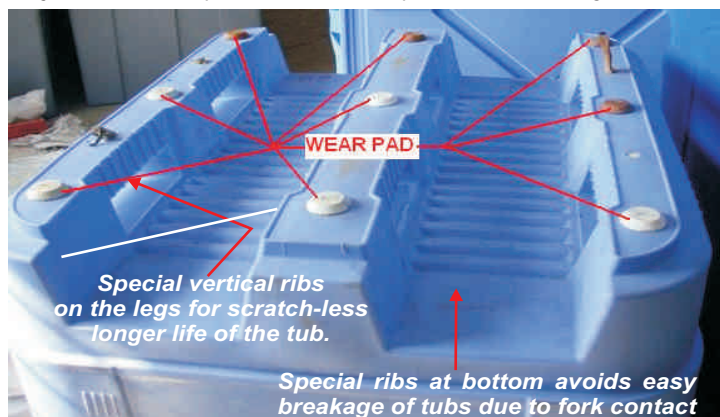
O.D. : 1220 (L) X 1085 (B) X 890 (H) MM. approx.
48 (L) X 43 (B) X 35 (H) INCH. approx.
I.D. : 1105 (L) X 965 (B) X 695 (H) MM. approx.
44 (L) X 38 (B) X 27 (H) INCH. approx.
(Height of Tub with Lid : 965 MM - 38 INCHES)

RIFT35 WITH LID CAPACITY : 1000 LITRES

O.D. : 1220 (L) X 1085 (B) X 1205 (H) MM. approx.
48 (L) X 43 (B) X 47 (H) INCH. approx.
I.D. : 1105 (L) X 965 (B) X 1005 (H) MM. approx.
44 (L) X 38 (B) X 40 (H) INCH. approx.
(Height of Tub with Lid : 1275 MM - 50 INCHES)



9 Nylon Wear Pads preserve each tub's pallet base from rough wear and tear.



Nilkamal RIFT25 Fish Tub stacked over Nilkamal RIFT35 Fish Tub.



ROTO MOULDED INSULATED ICE BOXES

Nilkamal, the largest manufacturer of material handling plastic products brings innovatively designed , latest technology “ROTO MOULDED INSULATED ICE BOXES” made from food grade virgin USDA / FDA / EU approved polyethylene.



MODEL : **RIC25LTRWT**
(Without Tap)



MODEL : **RIC50LTR** (With Tap)



For Keeping
snacks & meals hot



MODEL : **RIC100LTR**
(With Drain Hole Cap)



MODEL : **RIC120LTRWTVL**
(Without Drain Hole Cap & With Vending Lid)



For transporting
blood packets



MODEL : **RIC150LTRVL**
(With Drain Hole Cap & Vending Lid)



MODEL : **RIC220L**
(With Drain Hole Cap)



MODEL : **RIC250LTRVL**
(Without Drain Hole Cap
& With Vending Lid)

ROTO MOULDED INSULATED ICE BOXES

Salient Features :

- Manufactured from **USDA / FDA / EU approved food grade polyethylene.**
- PU filled & UV stabilized.
- Excellent insulation maintains uniform temperature for storage & transportation of frozen food, fish, meat, confectionaries, ice cream, fruits & vegetables, chilled beverages, dairy products & pharmaceutical products.
- Hygienic, easy to clean & wash. Strong & durable. Ensures freshness of contents over a long duration.
- Stackable for space saving.
- Used for storing chilled soft drinks, perishable items, snacks, pastries & frozen foods.
- All the ice boxes are available with & without drain cap & vending lid
- Model 100 & 150 ltrs. have built-in hinges.
- 150 ltrs. is available with normal / single / dual / vending lid.


ECONOMY INSULATED ICE BOX



MODEL : **RICE70LTR** MODEL : **RICE100LTR**

The only **ROTO INSULATED ICE BOXES** specially designed **FOR EXPORTS** with capacity 70 Litres & 100 Litres respectively

BLOW MOULDED INSULATED ICE BOX



The only **BLOW MOULDED INSULATED ICE BOX** specially designed with capacity 50 Litres with tap & vending lid & used in **SHRIMP INDUSTRY**

MODEL : **BIC50LTRVL**

Outside Dimensions : 645 (L) X 390 (B) X 385 (H) MM. approx.
25 (L) X 15 (B) X 15 (H) INCH approx.

Inside Dimensions : 570 (L) X 315 (B) X 300 (H) MM. approx.
22 (L) X 12 (B) X 12 (H) INCH approx.

MODEL NO.	OUTSIDE DIMENSIONS (With Lid)	INSIDE DIMENSIONS	CAPACITY
RIC25LTR	500 (L) X 335 (B) X 303 (H) MM. approx. 20 (L) X 13 (B) X 12 (H) INCH. approx.	390 (L) X 275 (B) X 255 (H) MM. approx. 15 (L) X 11 (B) X 10 (H) INCH. approx.	25 LITRES
RIC50LTR	645 (L) X 405 (B) X 420 (H) MM. approx. 25 (L) X 16 (B) X 17 (H) INCH. approx.	520 (L) X 350 (B) X 340 (H) MM. approx. 20 (L) X 14 (B) X 13 (H) INCH. approx.	50 LITRES
RICE70LTR	750 (L) X 480 (B) X 380 (H) MM. approx. 30 (L) X 19 (B) X 15 (H) INCH. approx.	683 (L) X 415 (B) X 290 (H) MM. approx. 27 (L) X 16 (B) X 11 (H) INCH. approx.	70 LITRES
RIC100LTR	750 (L) X 530 (B) X 520 (H) MM. approx. 30 (L) X 21 (B) X 20 (H) INCH. approx.	650 (L) X 430 (B) X 390 (H) MM. approx. 26 (L) X 17 (B) X 15 (H) INCH. approx.	100 LITRES
RICE100LTR	812 (L) X 533 (B) X 430 (H) MM. approx. 32 (L) X 21 (B) X 17 (H) INCH. approx.	743 (L) X 464 (B) X 330 (H) MM. approx. 29 (L) X 18 (B) X 13 (H) INCH. approx.	100 LITRES
RIC120LTR	610 (L) X 610 (B) X 650 (H) MM. approx. 24 (L) X 24 (B) X 26 (H) INCH. approx.	510 (L) X 510 (B) X 500 (H) MM. approx. 20 (L) X 20 (B) X 20 (H) INCH. approx.	120 LITRES
RIC150LTR	840 (L) X 575 (B) X 750 (H) MM. approx. 33 (L) X 23 (B) X 30 (H) INCH. approx.	680 (L) X 450 (B) X 600 (H) MM. approx. 27 (L) X 18 (B) X 24 (H) INCH. approx.	150 LITRES
RIC220LTR	1050 (L) X 640 (B) X 750 (H) MM. approx. 41 (L) X 25 (B) X 30 (H) INCH. approx.	890 (L) X 520 (B) X 600 (H) MM. approx. 35 (L) X 20 (B) X 24 (H) INCH. approx.	220 LITRES
RIC250LTR	1015 (L) X 700 (B) X 758 (H) MM. approx. 40 (L) X 28 (B) X 30 (H) INCH. approx.	875 (L) X 508 (B) X 615 (H) MM. approx. 34 (L) X 20 (B) X 24 (H) INCH. approx.	250 LITRES

ROTO MOULDED PLASTIC PALLETS

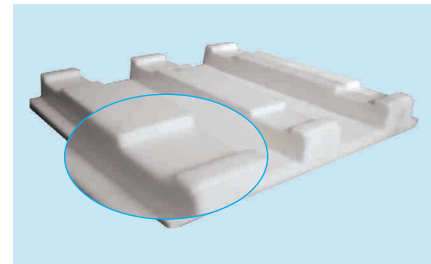
(Available with & without Polyurethane Foam)



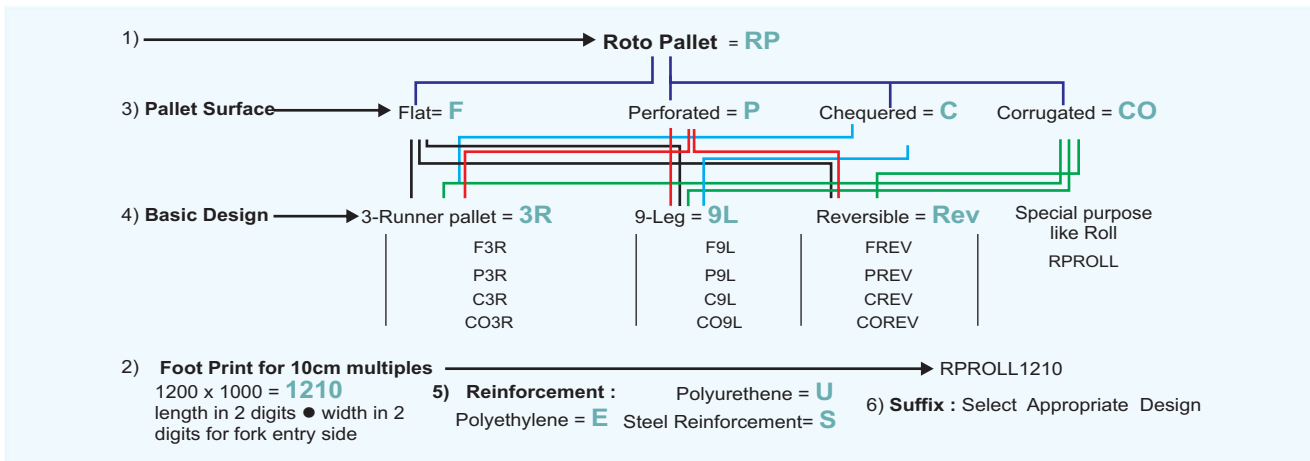
2 Way, 3 Longitudinal Runners



With Safety Edge



With Rack Lock



3 Runner Models :

Proposed New Code	Dimensions (L X W X H)	Static Load	Dynamic Load	Rack Load	Internal Width (W)			Internal Length (L)		
					h	B	A+B+A	h	F	E+F+E
RP1208F3RU3	1200 x 800 x 150 MM.	2000	1000	500	100	120	560	--	--	--
RP1208F3RU4	1200 x 800 x 150 MM.	2000	1000	500	110	110	570	--	--	--
RP1210F3RU1	1200 x 1000 x 150 MM.	2000	1000	500	110	140	620	--	--	--
RP1210F3RU2	1200 x 1000 x 150 MM.	2000	1000	500	110	140	620	--	--	--
RP1210F3RUS1	1200 x 1000 x 150 MM.	2000	1000	500	110	140	620	--	--	--
RP1210F3RUS2	1200 x 1000 x 160 MM.	3000	1500	750-1000	110	140	620	--	--	--
RP1210F3RUS4	1200 x 1000 x 160 MM.	3000	1500	750-1000	110	140	620	--	--	--
RPROLL1210	1200 x 1000 x 260 MM.	2000	1000	800	110	140	710	70	200	800

1 : With Rack Lock, Safety Edge & Wing Runners • 3 : With Rack Lock & Flush Runners & No Safety Edge

4 : With Flush Runners & No Safety Edge & No Rack Lock..All the above pallets are with normal fork entry.

9 Legs Models :

Proposed New Code	Dimensions (L X W X H)	Static Load	Dynamic Load	Rack Load	Internal Width (W)			Internal Length (L)		
					h	B	A+B+A	h	F	E+F+E
RP1208C9L54	1200 x 800 x 150 MM.	1500	750	N.A.	90	100	600	90	100	1000
RP1210F9L51	1200 x 1000 x 150 MM.	1500	1000	N.A.	100	140	610	100	140	810
RP1210C9L55	1200 x 1000 x 150 MM.	1500	1000	N.A.	100	160	900	100	160	700
RP1210F9LUS53	1200 x 1000 x 160 MM.	2000	1000	N.A.	100	130	730	100	150	900

51 : With Kiss-off Bottom , Stack Leg, Wing Leg • 53 : With Flat Bottom , Tapered Leg, Flush Leg

54 : With Kiss-off Bottom , Square Leg, Flush Leg • 55 : With Kiss-off Bottom , Tapered Leg, Flush Leg



Nilkamal House, Street No. 14, M.I.D.C. , Andheri (East), Mumbai - 400 093. • Tel.: (+91-22) 2681 8591 / 8593 / 8595

Telefax : (+91-22) 2821 6041 • Fax : (+91-22) 2836 1923 / 2836 7891 • E-mail : exports@nilkamal.com

visit us at : www.nilkamal.com • Mobiles : +91 98206 25937 • +91 98331 40603